

WJ-Series, Hydraulic Wheel Truck Jacks

▼ Shown: **WJ60**



WJ Series

Rated Capacity per Jack:

60 tons

Stroke:

5.50 & 16.20 inches

- Used for track side emergency rail car repair
- Uses existing outboard low pressure hydraulics, delivering 4250 psi for 60 ton lifting
- Long handles swing down for easy transport and jack positioning
- SUP'R-STACK™ extensions for lifting every style of car



Extensions

SUP'R-STACK™ extensions for lifting every style of car.

Page: **11**

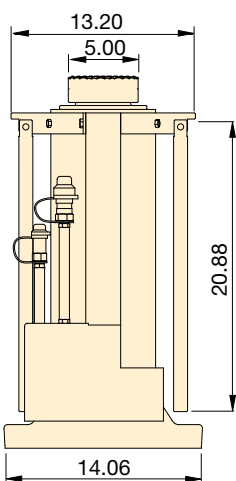


Stacking Extensions

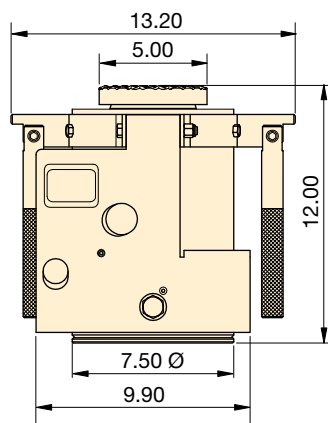
Any two extensions may be stacked for railcar lifting.

For loads over 60 tons or strokes over 14" (355,6 mm) only one extension and one spacer can be used.

WJ60



WJ60S



Dimensions shown in inches.

Capacity	Stroke	Model No.	Minimum Height	Extended Height	Effective Area	Oil Capacity Required	Maximum Operating Pressure at Capacity	Weight
kN (ton)	(in)		(in)	(in)	(in ²)	(in ³)	(psi)	(lbs)
60	16.17	WJ60	25.35	41.52	28.27	202	4,250	185
60	5.50	WJ60S	12.00	17.50	28.27	69	4,250	88