

RP-Series, Hydraulic Rail Pullers

▼ Shown: RP120BP, RPG120 Hydraulic Rail Pullers



RP Series

Rated Pulling Capacity:
120 tons

Stroke:
6.5-15.5 inches



RPG Puller Brake Kit

Minimizes movement of the RPG120 rail puller in the event of shock load due to rail failure. Optional accessory

for the RP120BP.

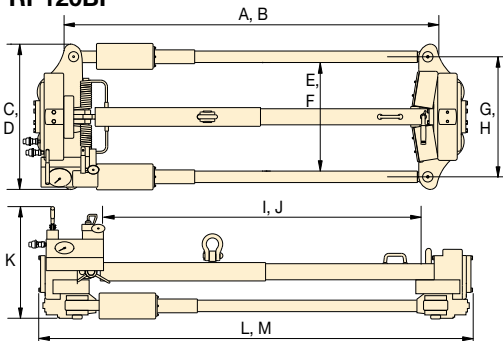
(A partial Kit is shown.)

- Versatile design allows for quick and easy setup for stressing rail
- Compact, alloy steel design requires no disassembly for transport or storage
- Swing Arm clamps the bracket and eliminates the need for separate jaws and wedges
- Detachable center beam, detents for opening and closing, and one handle operator controls are standard on the RPG120
- Center beam swings up on RP120BP
- Operator controls are positioned safely away from work area

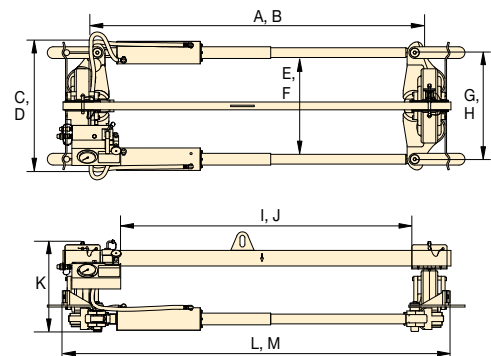
▼ The new Enerpac RP120BP and RPG120 Rail Pullers are designed to handle all thermite welding equipment, hydraulic rail grinders and weld shears.



RP120BP



RPG120



- A = Open
- B = Clamped
- C = Closed
- D = Open
- E = Clamped
- F = Open
- G = Clamped
- H = Open
- I = Clamped maximum
- J = Clamped minimum
- K = Height
- L = Clamp maximum
- M = Open minimum

Capacity (ton)	Stroke (in)	Model No.	A (in)	B (in)	C (in)	D (in)	E (in)	F (in)	G (in)	H (in)	I (in)	J (in)	K (in)	L (in)	M (in)	Weight (lbs)
120	6.5	RP120BP	74.5	83.5	33.0	35.0	24.0	26.0	26.5	28.5	71.0	64.6	23.0	98.0	89.0	1160
120	15.5	RPG120	79.4	88.4	33.0	35.0	24.0	26.0	26.5	28.5	78.1	72.1	25.5	105.4	99.4	1130