

▼ Shown: **Mechanical Rail Pullers**



550 Series

Rated Capacity:
30 tons



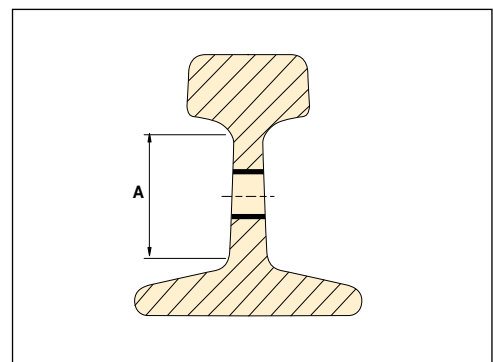
Stud Kit

Adapts mechanical rail pullers/expanders to various rail drillings. Kits include four square nuts, two bolts, two stud pins, and two studs. Ordered separately, see numbers below.

- Easily operated by one person
- Square socket design uses standard railroad lining bar*
- Alloy steel, heat treated U-bar is designed to fit rail web and be obstructionless when the lever socket is downward to allow for active service

*1.5" (38,1 mm) square X 66" (1676,4 mm) long

▼ Enerpac mechanical rail pullers/ expanders fit all standard rail where dimension "A" is 3.25" (82.5 mm) or larger.



Capacity (ton)	Model No.	Description	Travel (in)	Stud Diameter (in)	Optional Stud Kit No.	Weight (lbs)	Handle Effort / Ton (lbs)
266,9 (30)	02326	Mechanical Rail Puller, 1-inch, 550A	4.5-8	1.00	18602	87	7.5
	02327	Mechanical Rail Puller, 1.12-inch, 550A		1.12	18603		

*1.5" (38,1 mm) square X 66" (1676,4 mm) long